

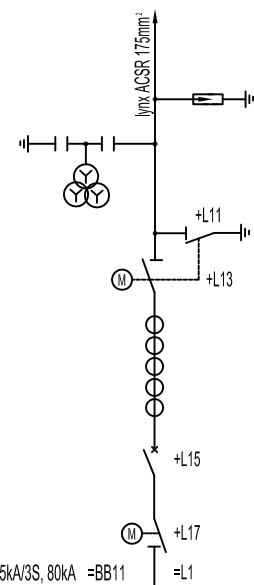
A
B
C
D
E
F

FULL BAY
SPACE
FUTURE
UPGRADES

FULL BAY
SPACE
FUTURE
UPGRADES

FULL BAY
SPACE
FUTURE
UPGRADES

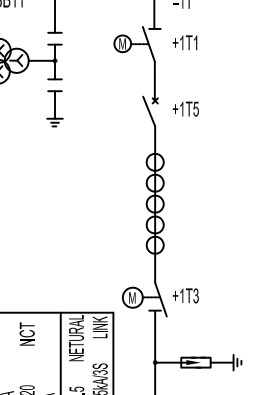
132KV OVERHEAD LINE FROM
OLKARIA PS SWITCHYARD



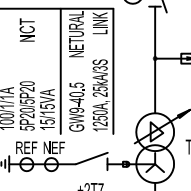
Y10W1-108 108kV, 10kA	LA
VCU-145 132 / 0.11 / 0.11 kV J _B / J _B / J _B kV 0.2/0.5(3P), 100/100VA	CVT
GW4A-145DW/1600A 1600A, 31.5kA/3S WITH EARTHING SWITCH	DS/ES
AGU-145 800-400-200/1/1/1/1/1A 0.2/0.5/CLASS X/5P20/5P20 10/5/30/30/30VA	CT
LW36-145(W)/T3150-40F 3150A, 40kA, SF6 SINGLE-POLE TYPE	CB
GW4A-145W/1600A 1600A, 31.5kA/3S	DS

132KV BUS BAR 2000A, 31.5kA/3S, 80kA =BB11

VCU-145 132 / 0.11 / 0.11 kV J _B / J _B / J _B kV 0.2/0.5(3P), 100/100VA	CVT
--	-----



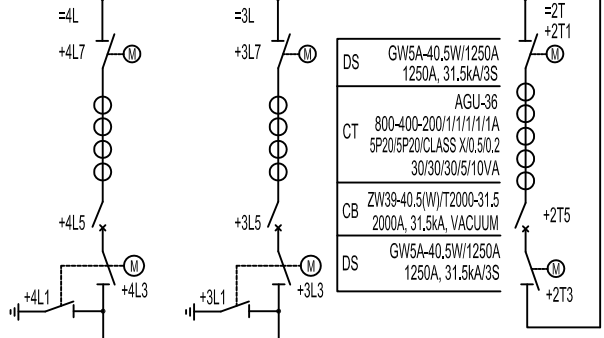
GW4A-145W/1600A 1600A, 31.5kA/3S	DS
LW36-145(W)/T3150-40 3150A, 40kA, SF6 THREE-POLE TYPE	CB
AGU-145 800-400-200/1/1/1/1/1A 5P20/5P20/CLASS X/0.5/0.2 30/30/30/5/10VA	CT
GW4A-145W/1600A 1600A, 31.5kA/3S	DS
Y10W1-108 108kV, 10kA	LA



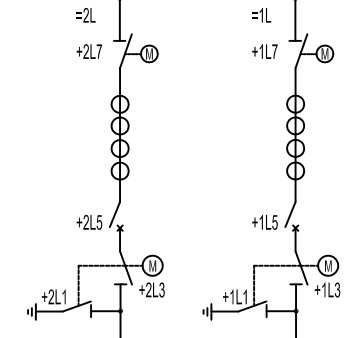
MAIN TRANSFORMER SFZ-23000/132 18/23MVA (ONAN/ONAF) 132±8X1.67%/33kV Dyn11, OLTC	TR
--	----

LA YH10W1-30 30kV, 10kA	LA
VT JDx6-36 33 / 0.11 / 0.11 kV J _B / J _B / J _B kV 0.2/0.5(3P), 50/50VA	VT

33KV BUS BAR Tubular 1250A, 25kA/3S, 63kA =BB21

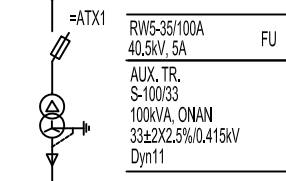


DS GW5A-40.5W/1250A 1250A, 31.5kA/3S	DS
AGU-36 800-400-200/1/1/1/1/1A 5P20/5P20/CLASS X/0.5/0.2 30/30/30/5/10VA	CT
CB ZW39-40.5(W)/T2000-31.5 2000A, 31.5kA, VACUUM	CB
DS GW5A-40.5W/1250A 1250A, 31.5kA/3S	DS



GW5A-40.5W/1250A 1250A, 31.5kA/3S	DS
AGU-36 400-200-100/1/1/1/1/1A 5P20/CLASS X/0.5/0.2 30/30/5/10VA	CT
ZW39-40.5(W)/T2000-31.5 2000A, 31.5kA, VACUUM	CB
GW5A-40.5DW/1250A 1250A, 31.5kA/3S WITH EARTHING SWITCH	DS/ES
YH10W1-30 30kV, 10kA	LA

YH10W1-30 30kV, 10kA	LA
JDx6-36 33 / 0.11 / 0.11 kV J _B / J _B / J _B kV 0.2/0.5(3P), 50/50VA	VT
RXW0-35/0.5A 40.5kV, 0.5A	FU



CONNECTION TO 415V LV AC INDICATED IN DOC. NO.
NRK-DD-EP-DS-2213-LV AC SINGLE LINE DIAGRAM

AS BUILT

LEGEND:		
	CB	CIRCUIT BREAKER
	DS	DISCONNECTER SWITCH
	DS/ES	DISCONNECTER SWITCH WITH EARTHING SWITCH
	CT	CURRENT TRANSFORMER
	CVT	CAPACITIVE VOLTAGE TRANSFORMER
	LA	LIGHTNING ARRESTER
	VT	VOLTAGE TRANSFORMER
		MOTORISED
	FU	FUSE
	TR	MAIN TRANSFORMER
	AUX. TR.	AUXILIARY TRANSFORMER
		FUTURE UPGRADES

3	27/03/2014	ZHOU LEI	RES. TO MINUTES OF DESIGN REVIEW MEETING(27/03/2014)	CONSULTANT:	CLIENT & PROJECT:	CONTRACTOR:	BY	NAME	DATE	BY	NAME	DATE	TITLE:	SCALE	N/A			
2	13/11/2013	ZHOU LEI	FOR CONSTRUCTION, RES. TO 5083020/050.3A/020_01/11/2013		 KENYA POWER TRANSMISSION SYSTEM IMPROVEMENT PROJECT LOT3A DESIGN, SUPPLY & INSTALLATION OF SUBSTATIONS & LINE BAY EXTENSIONS		DRAWN	CHENQIUDONG	27/03/14	DESIGNED	CHENQIUDONG	27/03/14	PRIMARY DRAWING - NAROK S/S - HV & MV SINGLE LINE DIAGRAM	UNIT	N/A			
1	13/10/2013	ZHOU LEI	RES. TO 5083020/050.3A/020 DATED 09/09/2013				 Ketraco Electricity Transmission Co. Ltd. "Kenya's Electricity Transmission Specialist"		CHECKED	ZHOU LEI	27/03/14	APPROVED		ZHOU LEI	27/03/14	PLOT	A3	
REV.	DATE	BY	DESCRIPTION	CONTRACT NO.	KETRACO/PT/004(A)/2012	PROJECT NO.	P-KE-FAO-004							DOC. NO.	NRK-DD-EP-DS-2211	REV.	3	SHEET